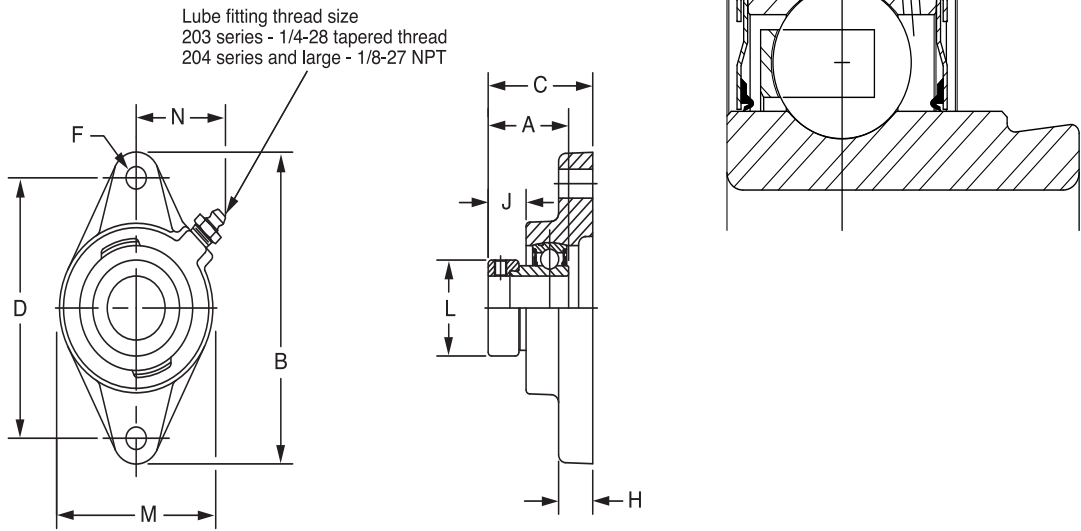




# SELECTION/DIMENSIONS

## Eccentric SXV Collar Ball Bearings SXV INTERMEDIATE DUTY 2-BOLT FLANGE BEARINGS



Series	Shaft Size	Standard		No Lube/Sealed for Life (-NL)	
		Part No.	Description	Part No.	Description
203	1/2	<b>130326</b>	F2B-SXV-008	@	F2B-SXV-008-NL
	5/8	<b>130327</b>	F2B-SXV-010	@	F2B-SXV-010-NL
	17mm	<b>125529</b>	F2B-SXV-17M	@	F2B-SXV-17M-NL
204	3/4	<b>131737</b>	F2B-SXV-012	@	F2B-SXV-012-NL
	20mm	<b>125730</b>	F2B-SXV-20M	@	F2B-SXV-20M-NL
205	7/8	<b>131738</b>	F2B-SXV-014	@	F2B-SXV-014-NL
	15/16	<b>131739</b>	F2B-SXV-015	@	F2B-SXV-015-NL
	1	<b>131740</b>	F2B-SXV-100	<b>058778</b>	F2B-SXV-100-NL
	25mm	<b>125731</b>	F2B-SXV-25M	@	F2B-SXV-25M-NL
206	1-1/16	<b>131741</b>	F2B-SXV-101	@	F2B-SXV-101-NL
	1-1/8	<b>131742</b>	F2B-SXV-102	@	F2B-SXV-102-NL
	1-3/16	<b>131743</b>	F2B-SXV-103	@	F2B-SXV-103-NL
	1-1/4	<b>131744</b>	F2B-SXV-104S	@	F2B-SXV-104S-NL
	30mm	<b>125732</b>	F2B-SXV-30M	@	F2B-SXV-30M-NL
207	1-1/4	<b>131745</b>	F2B-SXV-104	@	F2B-SXV-104-NL
	1-5/16	<b>131746</b>	F2B-SXV-105	@	F2B-SXV-105-NL
	1-3/8	<b>131747</b>	F2B-SXV-106	@	F2B-SXV-106-NL
	1-7/16	<b>131748</b>	F2B-SXV-107	<b>058779</b>	F2B-SXV-107-NL
	35mm	<b>125733</b>	F2B-SXV-35M	@	F2B-SXV-35M-NL
208	1-1/2	<b>131749</b>	F2B-SXV-108	<b>068784</b>	F2B-SXV-108-NL
	40mm	<b>125734</b>	F2B-SXV-40M	@	F2B-SXV-40M-NL
209	1-11/16	<b>130328</b>	F2B-SXV-111	<b>059595</b>	F2B-SXV-111-NL
	1-3/4	<b>130329</b>	F2B-SXV-112	@	F2B-SXV-112-NL
	45mm	<b>125735</b>	F2B-SXV-45M	@	F2B-SXV-45M-NL
210	1-15/16	<b>130330</b>	F2B-SXV-115	<b>059596</b>	F2B-SXV-115-NL
	2	<b>130331</b>	F2B-SXV-200	<b>068867</b>	F2B-SXV-200-NL
	50mm	<b>125736</b>	F2B-SXV-50M	@	F2B-SXV-50M-NL
211	2	<b>130352</b>	F2B-SXV-200L	@	F2B-SXV-200L-NL
	2-3/16	<b>130353</b>	F2B-SXV-203	@	F2B-SXV-203-NL
	55mm	<b>125737</b>	F2B-SXV-55M	@	F2B-SXV-55M-NL

@ Assembled to order

FEATURES/BENEFITS PAGE B9-2	SELECTION PAGE B9-6	HOW TO ORDER/NOMENCLATURE PAGE B7-5	MODIFICATIONS/ACCESSORIES PAGE B9-36
--------------------------------	------------------------	--	---

Eccentric Collar Ball Bearings  
Setscrew VSC Ball Bearing  
Eccentric SXV Collar Ball Bearing  
Take-Up Frames  
Engineering  
Part Number Index  
Keyword Index

# SELECTION/DIMENSIONS



## Eccentric SXV Collar Ball Bearings SXV INTERMEDIATE DUTY 2-BOLT FLANGE BEARINGS

Eccentric Collar Ball Bearing

Setscrew VSC Ball Bearing

Eccentric SXV Collar Ball Bearing

Take-Up Frames

Engineering

Part Number Index

Keyword Index

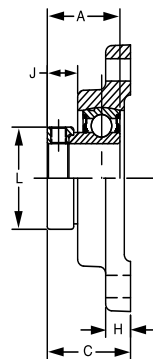
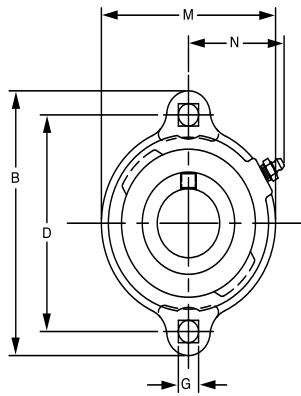
Series	Shaft Size	Weight lbs kg	A	B	C	D	F Bolt Dia.	H	J	L	M	N
203	1/2	0.9	1.13	3.88	1.40	3.00	3/8	0.38	0.55	1.13	2.13	1.13
	5/8	0.8										
	17mm	0.3	28.7	98.6	35.6	76.2	M10	9.7	14.0	28.7	54.1	28.7
204	3/4	1.0	1.22	4.41	1.54	3.53	3/8	0.50	0.55	1.31	2.38	1.50
	20mm	0.5	31.0	112.0	39.1	89.7	M10	12.7	14.0	33.3	60.5	38.1
205	7/8	1.7	1.22	4.88	1.51	3.89	7/16	0.52	0.56	1.50	2.75	1.44
	15/16	1.6										
	1	1.5										
206	25mm	0.7	31.0	124.0	38.4	98.8	M10	13.2	14.2	38.1	69.9	36.6
	1-1/16	2.4	1.41	5.56	1.67	4.59	7/16	0.50	0.61	1.75	3.13	1.56
	1-1/8	2.3										
	1-3/16	2.2										
207	1-1/4	2.1	35.8	141.2	42.4	116.7	M10	12.7	15.5	44.5	79.5	39.6
	30mm	1										
	1-1/4	3.6	1.53	6.13	1.87	5.12	1/2	0.56	0.65	2.13	3.75	1.84
	1-5/16	3.5										
	1-3/8	3.3										
208	1-7/16	3.2										
	35mm	1.5	38.9	155.7	47.5	130.0	M12	14.2	16.5	54.1	95.3	46.7
	1-1/2	4.7	1.72	6.75	2.07	5.66	1/2	0.56	0.73	2.38	4.13	1.83
209	40mm	2.2	43.6	171.5	52.6	143.8	M12	14.2	18.5	60.5	104.9	46.5
	1-11/16	5.1	1.69	7.06	2.07	5.84	1/2	0.63	0.66	2.50	4.38	1.91
	1-3/4	4.9										
210	45mm	2.2	42.9	179.3	52.6	148.3	M14	16.0	16.8	63.5	111.3	48.5
	1-15/16	5.8	1.72	7.44	2.12	6.19	1/2	0.63	0.65	2.75	4.56	2.03
	2	5.3										
211	50mm	2.4	43.6	189.0	53.8	157.2	M16	16.0	16.5	69.9	115.8	51.6
	2	6.9	1.90	8.63	2.36	7.25	5/8	0.67	0.77	3.00	5.25	2.27
	2-3/16	6.7										
	55mm	3.1	48.3	219.2	59.9	184.2	M16	17.0	19.6	76.2	133.4	57.7

FEATURES/BENEFITS PAGE B9-2	SELECTION PAGE B9-6	HOW TO ORDER/NOMENCLATURE PAGE B7-5	MODIFICATIONS/ACCESSORIES PAGE B9-36
--------------------------------	------------------------	--	---

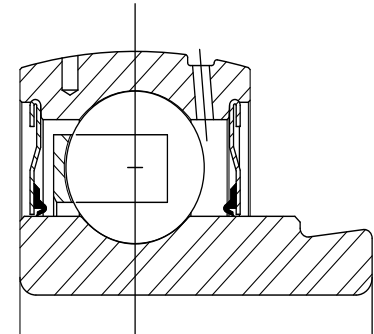


# SELECTION/DIMENSIONS

## Eccentric Collar Ball Bearings SXV LFT INTERMEDIATE DUTY 2-BOLT FLANGE BEARINGS



Lube fitting thread size:  
203-204 series - 1/4-28 tapered thread  
205-207 series - 1/8-27 NPT



Series	Shaft Size	Standard		No Lube/Sealed for Life (-NL)	
		Part No.	Description	Part No.	Description
203	1/2	@	LFT-SXV-008	<b>124748</b>	LFT-SXV-008-NL
	5/8	<b>124749</b>	LFT-SXV-010	<b>068855</b>	LFT-SXV-010-NL
	17mm	<b>130776</b>	LFT-SXV-17M	@	LFT-SXV-17M-NL
204	3/4	@	LFT-SXV-012	<b>124678</b>	LFT-SXV-012-NL
	20mm	<b>130777</b>	LFT-SXV-20M	@	LFT-SXV-20M-NL
205	7/8	<b>049751</b>	LFT-SXV-014	@	LFT-SXV-014-NL
	15/16	@	LFT-SXV-015	@	LFT-SXV-015-NL
	1	<b>124677</b>	LFT-SXV-100	<b>124697</b>	LFT-SXV-100-NL
	25mm	<b>130778</b>	LFT-SXV-25M	@	LFT-SXV-25M-NL
206	1-1/16	@	LFT-SXV-101	@	LFT-SXV-101-NL
	1-1/8	<b>068387</b>	LFT-SXV-102	@	LFT-SXV-102-NL
	1-3/16	<b>068803</b>	LFT-SXV-103	<b>053007</b>	LFT-SXV-103-NL
	1-1/4	<b>068561</b>	LFT-SXV-104S	<b>062945</b>	LFT-SXV-104S-NL
	30mm	<b>130779</b>	LFT-SXV-30M	@	LFT-SXV-30M-NL
207	1-1/4	@	LFT-SXV-104	@	LFT-SXV-104-NL
	1-5/16	@	LFT-SXV-105	@	LFT-SXV-105-NL
	1-3/8	<b>062439</b>	LFT-SXV-106	@	LFT-SXV-106-NL
	1-7/16	<b>064750</b>	LFT-SXV-107	<b>124676</b>	LFT-SXV-107-NL
	35mm	<b>130780</b>	LFT-SXV-35M	@	LFT-SXV-35M-NL

@ Assembled to order

Series	Shaft Size	Weight lbs kg	A	B	C	D	G	H	J	L	M	N
203	1/2	0.63	1.13	3.19	1.28	2.50	0.28	0.38	0.56	1.13	2.13	1.23
	5/8	0.60										
	17mm	0.3	28.7	81.0	32.5	63.5	7.1	9.7	14.2	28.7	54.1	31.2
204	3/4	0.77	1.22	3.56	1.41	2.81	0.34	0.42	0.56	1.31	2.38	1.34
	20mm	0.4	31.0	90.4	35.8	71.4	8.6	10.7	14.2	33.3	60.5	34.0
205	7/8	0.92	1.22	3.75	1.40	3.00	0.34	0.42	0.53	1.31	2.63	1.44
	15/16	0.89										
	1	0.86										
206	25mm	0.4	31.0	95.3	35.6	76.2	8.6	10.7	13.5	33.3	66.8	36.6
	1-1/16	1.53	1.41	4.44	1.60	3.56	0.41	0.47	0.61	1.75	3.25	1.72
	1-1/8	1.5										
	1-3/16	1.47										
207	1-1/4	1.92	1.53	4.82	1.72	3.94	0.41	0.50	0.65	2.13	3.50	1.83
	1-5/16	1.89										
	1-3/8	1.86										
	1-7/16	1.83										
	35mm	0.8	38.9	122.4	43.7	100.1	10.4	12.7	16.5	54.1	88.9	46.5

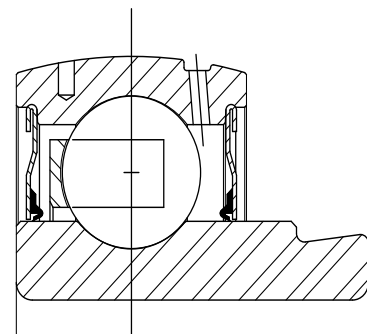
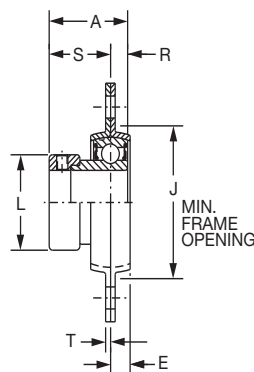
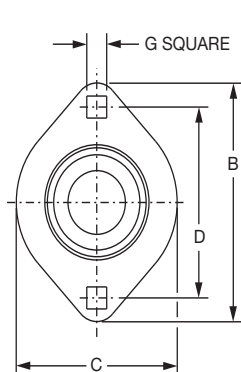
FEATURES/BENEFITS PAGE B9-2	SELECTION PAGE B9-6	HOW TO ORDER/NOMENCLATURE PAGE B7-5	MODIFICATIONS/ACCESSORIES PAGE B9-36
--------------------------------	------------------------	--	---

Eccentric Collar Ball Bearings  
Setscrew VSC Ball Bearing  
Eccentric SXV Collar Ball Bearing  
Take-Up Frames  
Engineering  
Part Number Index  
Keyword Index

# SELECTION/DIMENSIONS



## Eccentric Collar Ball Bearings SLX LIGHT DUTY 2-BOLT FLANGE BEARINGS



Series	Shaft Size	Standard	
		Part No.	Description
203	1/2	@	F2B-SLX-008
	5/8	<b>062497</b>	F2B-SLX-010
	17mm	@	F2B-SLX-17M
204	3/4	<b>128137</b>	F2B-SLX-012
	20mm	@	F2B-SLX-20M
205	7/8	<b>128138</b>	F2B-SLX-014
	15/16	<b>128139</b>	F2B-SLX-015
	1	<b>128140</b>	F2B-SLX-100
	25mm	@	F2B-SLX-25M
206	1-1/8	<b>128141</b>	F2B-SLX-102
	1-3/16	<b>128142</b>	F2B-SLX-103
	1-1/4	<b>128143</b>	F2B-SLX-104S
	30mm	@	F2B-SLX-30M
207	1-1/4	<b>128186</b>	F2B-SLX-104
	1-3/8	<b>128187</b>	F2B-SLX-106
	1-7/16	<b>128188</b>	F2B-SLX-107
	35mm	@	F2B-SLX-35M

@ Assembled to order

Series	Shaft Size	Weight lbs kg	A	B	C	D	E	G*	J	L	R	S	T	Housing Radial Load Rating (lbs)
203	1/2	.51	1.13	3.19	2.31	2.54	0.28	0.28	1.94	1.13	0.26	0.87	0.08	600
	5/8	.48												
	17mm	.23	28.7	81.0	58.7	64.5	7.1	7.1	49.3	28.7	6.6	22.1	2.0	2668
204	3/4	.51	1.22	3.56	2.63	2.81	0.31	0.34	2.19	1.31	0.30	0.92	0.08	700
	20mm	.23	31.0	90.4	66.8	71.4	7.9	8.6	55.6	33.3	7.6	23.4	2.0	3112
205	7/8	.79	1.22	3.75	2.80	3.00	0.34	0.34	2.38	1.50	0.30	0.92	0.08	800
	15/16	.76												
	1	.73												
	25mm	.35	31.0	95.3	71.1	76.2	8.6	8.6	60.5	38.1	7.6	23.4	2.0	3557
206	1-1/8	1.14	1.41	4.44	3.31	3.56	0.34	0.41	2.81	1.75	0.35	1.05	0.10	1100
	1-3/16	1.12												
	1-1/4	1.10												
	30mm	.52	35.8	112.8	84.1	90.4	8.6	10.4	71.4	44.5	8.9	26.7	2.5	4891
207	1-1/4	1.54	1.53	4.94	3.69	3.94	0.44	0.41	3.19	2.13	0.37	1.16	0.10	1100
	1-3/8	1.50												
	1-7/16	1.48												
	35mm	.69	38.9	125.5	93.7	100.1	11.2	10.4	81.0	54.1	9.4	29.5	2.5	6225

\* Mounting bolt holes will accept either carriage or machine bolts.

FEATURES/BENEFITS PAGE B9-2	SELECTION PAGE B9-6	HOW TO ORDER/NOMENCLATURE PAGE B7-5	MODIFICATIONS/ACCESSORIES PAGE B9-36
--------------------------------	------------------------	--	---

Eccentric Collar Ball Bearing

Setscrew VSC Ball Bearing

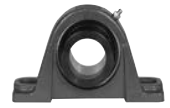
Eccentric SXV Collar Ball Bearing

Take-Up Frames

Engineering

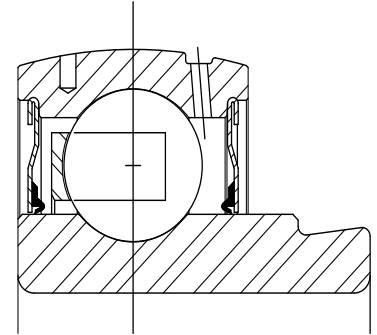
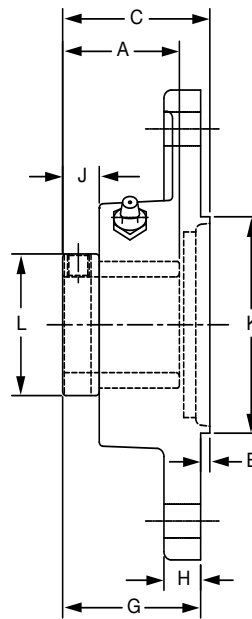
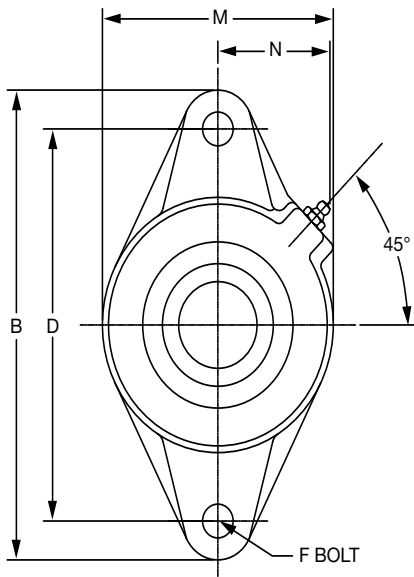
Part Number Index

Keyword Index



# SELECTION/DIMENSIONS

## Eccentric SXV Collar Ball Bearings SXV INTERMEDIATE DUTY 2-BOLT PILOTED FLANGE BEARINGS



Series	Shaft Size	Part No.	Description
204	3/4	@	F2BZ-SXV-012
	20mm	<b>130781</b>	F2BZ-SXV-20M
205	7/8	@	F2BZ-SXV-014
	15/16	@	F2BZ-SXV-015
	1	@	F2BZ-SXV-100
206	25mm	<b>130782</b>	F2BZ-SXV-25M
	1-1/8	<b>067601</b>	F2BZ-SXV-102
	1-3/16	@	F2BZ-SXV-103
	1-1/4	@	F2BZ-SXV-104S
207	30mm	<b>130783</b>	F2BZ-SXV-30M
	1-1/4	<b>062893</b>	F2BZ-SXV-104
	1-3/8	@	F2BZ-SXV-106
	1-7/16	@	F2BZ-SXV-107
	35mm	<b>130784</b>	F2BZ-SXV-35M
208	1-1/2	<b>068763</b>	F2BZ-SXV-108
	40mm	<b>130785</b>	F2BZ-SXV-40M
209	1-11/16	@	F2BZ-SXV-111
	1-3/4	@	F2BZ-SXV-112
	45mm	<b>130786</b>	F2BZ-SXV-45M
210	1-15/16	@	F2BZ-SXV-115
	2	@	F2BZ-SXV-200
	50mm	<b>130787</b>	F2BZ-SXV-50M

@ Assembled to order

FEATURES/BENEFITS  
PAGE B9-2

SELECTION  
PAGE B9-6

HOW TO ORDER/NOMENCLATURE  
PAGE B7-5

MODIFICATIONS/ACCESSORIES  
PAGE B9-36

Eccentric Collar Ball Bearings  
 Setscrew VSC Ball Bearing  
 Eccentric SXV Collar Ball Bearing  
 Take-Up Frames  
 Engineering  
 Part Number Index  
 Keyword Index

# SELECTION/DIMENSIONS



## Eccentric SXV Collar Ball Bearings SXV INTERMEDIATE DUTY 2-BOLT PILOTED FLANGE BEARINGS

Eccentric Collar Ball Bearing

Setscrew VSC Ball Bearing

Eccentric SXV Collar Ball Bearing

Take-Up Frames

Engineering

Part Number Index

Keyword Index

Series	Shaft Size	Weight lbs kg	A	B	C	D	E	F Bolt Dia.	G	H	J	K	L	M	N
204	3/4	1.1	1.22	4.41	1.67	3.53	0.14	3/8	1.54	0.50	0.55	2.165/2.163	1.31	2.38	1.50
	20mm	0.5	31.0	112.0	42.4	89.7	3.6	M10	39.1	12.7	14.0	54.99/54.94	33.3	60.5	38.1
205	7/8	1.5	1.22	4.88	1.65	3.89	0.14	7/16	1.51	0.52	0.56	2.362/2.360	1.50	2.75	1.44
	15/16	1.4													
	1	1.4													
206	25mm	0.6	31.0	124.0	41.9	98.8	3.6	M10	38.4	13.2	14.2	59.99/59.94	38.1	69.9	36.6
	1-1/8	1.9	1.41	5.56	1.79	4.59	0.12	7/16	1.67	0.50	0.61	3.150/3.148	1.75	3.13	1.56
	1-3/16	1.9													
	1-1/4	1.9													
207	30mm	0.9	35.8	141.2	45.5	116.6	3.0	M10	42.4	12.7	15.5	80.01/79.96	44.5	79.5	39.6
	1-1/4	2.9	1.53	6.13	2.03	5.12	0.16	1/2	1.87	0.56	0.65	3.543/3.541	2.13	3.75	1.84
	1-3/8	2.8													
	1-7/16	2.8													
208	35mm	1.3	38.9	155.7	51.6	130.0	4.1	M12	47.5	14.2	16.5	89.99/89.94	54.1	95.3	46.7
	1-1/2	4.4	1.72	6.75	2.23	5.66	0.16	1/2	2.07	0.56	0.73	3.937/3.935	2.38	4.13	1.83
209	40mm	2	43.6	171.5	56.6	143.8	4.1	M12	52.6	14.2	18.5	100.00/99.95	60.5	104.9	46.5
	1-11/16	4.6	1.72	7.06	2.22	5.84	0.16	1/2	2.07	0.63	0.66	4.134/4.132	2.50	4.38	1.91
	1-3/4	4.5													
210	45mm	2.1	43.6	179.3	56.4	148.3	4.1	M14	52.6	16.0	16.8	105.00/104.95	63.5	111.3	48.5
	1-15/16	5	1.72	7.44	2.28	6.19	0.16	1/2	2.12	0.63	0.65	4.134/4.132	2.75	4.56	2.03
	2	4.8													
210	50mm	2.1	43.6	189.0	57.9	157.2	4.1	M16	53.8	16.0	16.5	105.00/104.95	69.9	115.8	51.6

FEATURES/BENEFITS PAGE B9-2	SELECTION PAGE B9-6	HOW TO ORDER/NOMENCLATURE PAGE B7-5	MODIFICATIONS/ACCESSORIES PAGE B9-36
--------------------------------	------------------------	--	---